

Solar optimizer SP-1 datasheet

SUN POWER OWNER, SOLAR POINT OPTIONS.

Product description

The application scenarios of this product are various types of solar power systems, which can collect the data (such as power, voltage, current, temperature) of solar modules in real time, and the data is summarized at the communication gateway and uploaded to the server. At the same time, the product has the function of actively and quickly shutting off the output of the corresponding solar module when necessary. In addition, Maximum Power Point Tracking (MPPT) optimizes the power output of solar modules in real time to increase power generation.



Features introduction



REAL-TIME MONITORING

Minute-level data monitoring, millisecond-level data response. Even if it is thousands of miles away, it is possible to grasp the power generation status of solar modules in real time through multiple channels like website



SAFE AND FAST SHUTDOWN

After the smart device detects a high-risk power generation abnormality, it will actively shut down the output of the solar module within milliseconds, giving priority to the safety of personnel and systems



LONG WORKING YEARS

Selected and reliable components, double standard test conditions, daily working power is less than 0.3W, and strive to guarantee the same working life as solar modules



OPTIMIZATION AND IMPROVEMENT

MPPT to ensure the maximum power output of solar modules. Recover the power loss of solar modules caused by factors such as shadow occlusion and different solar cell attenuation



EXCEPTION AND TIMELY RESPONSE

More and more perfect data model, accurate determination of abnormal components, rapid diagnosis of abnormal factors, and notification of power station owners



EASY INSTALLATION PROCESS

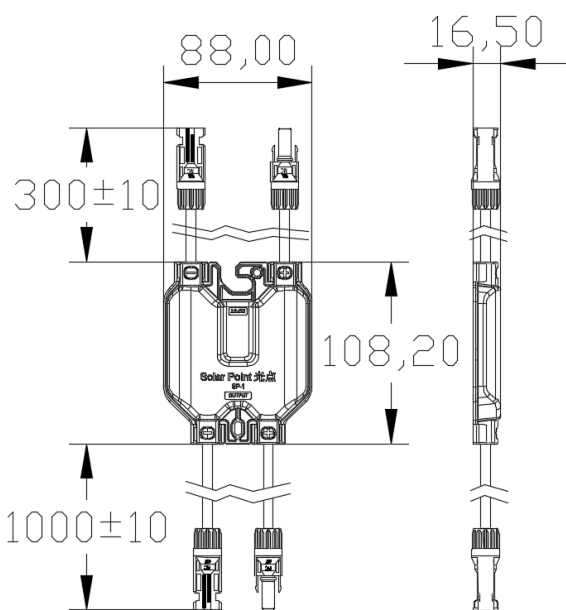
The different appearance design of the input and output ends, the one-to-one matching of equipment and solar modules, and the use of MC4 compatible connectors greatly simplify the installation process.

Specification Table

1.Size	108.2x88.0x16.5mm
2.Weight	360g
3.Input wire length(customizable)	300mm(+)/300mm(-)
4.Output wire length(customizable)	1000mm(+)/1000mm(-)
5.Connector	MC4/MC4 compatible
6.Ingress protection	IP68

Electric Performance Parameters Table

1.Rated Power	<0.3W
2.Working Temperature Range	-40°C~+85°C
3.Input Voltage Range	8~60V
4.Maximum Input Current	20A
5.Maximum Input Power	700W
6.Communication Method	wireless
7.Maximum Communication Distance	100m
8.Maximum System Voltage	1500V
9.Current Detection Accuracy	±0.1A
10.Voltage Detection Accuracy	±0.2V
11.Temperature Detection Accuracy	±2°C



SolarPoint

www.spo.cn | 021-54845001 | service@spo.cn